



Type: Class 150~300 Floating Ball Valve

Features:

Size: 2" ~8"

Pressure: Class 150~300

Materials: Cast, forge, ASTM, DIN, CS, SS, Alloy steel, Duplex, inconel, special material.

Design: API 608, API 6D, BS5351, ASME B16.34

Structure type: two pcs, full bore, reduced bore, lever, gear, pneumatic, electric.

Ends: ANSI B16.5, ANSI B16.25

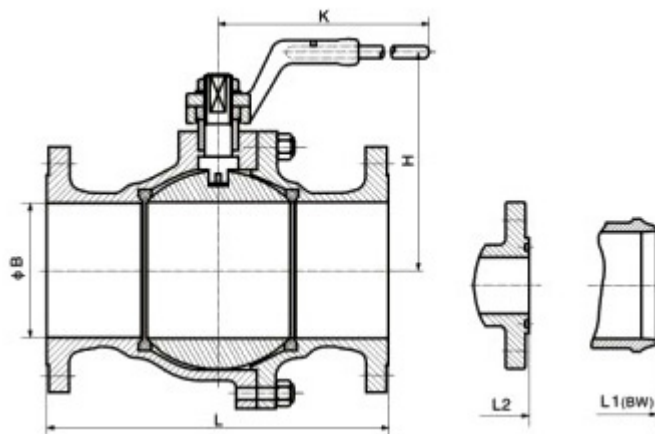
Predominance:

Kinma ball valves have RF, RTJ and BW connection types. And there are also operation ISO 5211 standard for worm Gear Actuator, Electric actuator and Pneumatic actuator. We also supply valves for a special required.

Details:

Class 150~300 Floating Ball Valve

Installation dimension drawing



Class 150~300 Floating Ball Valve

Material List I

Material List		
NO.	Part name	Materiall
13	Handle	Carbon steel
12	Lock nut	Carbon steel
11	Gland nut	Carbon steel

10	Thrust washer	PTFE/NYLON
09	Gland bush	Stainless steel
08	Stem	Stainless steel

Class 150~300 Floating Ball Valve

Material List II

Material List			
NO.	Part name	WCB	LCB
07	Stud and nut	A193 Gr B7/A194 Gr 2H	A320 Gr L7/A194 Gr 4
06	Packing	Graphite/ptfe	Graphite/ptfe
05	Ball seat	PTFE/RPTFE/NYLON	SPTFE/RPTFE/NYLON
04	Gasket	Grafoil/spiral wound	Grafoil/spiral wound
03	Ball	A182 F6a	A182 F304
02	R-body	A216 Gr WCB	A352 Gr LCB
01	L-body	A216 Gr WCB	A352 Gr LCB

Class 150~300 Floating Ball Valve

Material List III

Material List			
NO.	Part name	CF8	CF8M
07	Stud and nut	A193 Gr B16/A194 Gr 4/7	A193 Gr B7/A194 Gr 2H
06	Packing	Graphite/ptfe	Graphite/ptfe
05	Ball seat	PTFE/RPTFE/NYLON	PTFE/RPTFE/NYLON
04	Gasket	Grafoil/spiral wound	Grafoil/spiral wound
03	Ball	A182 F304	A182 F316
02	R-body	A351 Gr CF8	A351 Gr CF8M
01	L-body	A351 Gr CF8	A351 Gr CF8M

Class 150 Floating Ball Valve

Dimensions											
Class 150											
Size	inch	1/2	3/4	1	1-1/2	2	2-1/2	3	4	6	8
L-RF	mm	108	117	127	165	178	191	203	229	394	457
L1-BW	mm	140	152	165	190	216	241	283	305	457	521
L2-RTJ	mm	-	-	140	178	191	203	216	241	406	470
B	mm	13	19	25	38	51	64	76	102	152	203
H	mm	65	70	80	95	110	135	145	170	235	275
K	mm	150	155	160	180	200	225	325	350	500	600
WT.	Kg	3	4	5	8	12	21	26	43	80	155

Class 300 Floating Ball Valve

Dimensions											
------------	--	--	--	--	--	--	--	--	--	--	--

Class 300

Size	inch	1/2	3/4	1	1-1/2	2	2-1/2	3	4	6	8
L-RF	mm	140	152	165	190	216	241	283	305	403	502
L1-BW	mm	140	152	165	191	216	241	283	305	457	521
L2-RTJ	mm	151	165	178	203	232	257	298	321	419	518
B	mm	13	19	25	38	51	64	76	102	152	203
H	mm	70	85	90	105	120	145	160	195	250	290
K	mm	155	160	180	200	225	325	350	500	600	700
WT.	Kg	3	5	7	13	15	28	32	55	105	170