



**Type: Class 150~1500 Cast Steel Three-piece Trunnion Mounted Ball Valve**

**Features:**

**Size:** 2"~24"

**Pressure:** Class 150~1500

**Material:** Cast, forge, ASTM, DIN, CS, SS, Alloy steel, Duplex, Inconel, special materials

**Design:** API 6D, API 608,ANSI B16.34 or BS 5351

**Structure type:** Three pcs, Full bore, Reduced bore, lever, gear, pneumatic, electric

**End:** ANSI B16.5, API 605, MSS SP-44, ANSI B16.25

**Predominance:**

Bolted cover, Two-piece or three-piece Body, fixed Ball

Full or Reduced bore, Blowout Proof Stem

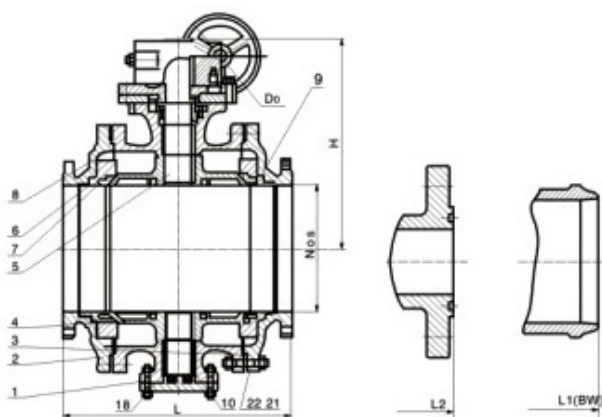
Fire safe and Anti static

Dual seat with injection and drain & outlet

**Details:**

**Class 150~1500 Cast Steel Three-piece Trunnion Mounted Ball Valve**

Installation dimension drawing



**Class 150~1500 Cast Steel Three-piece Trunnion Mounted Ball Valve**

**Material List I**

Material List		
NO.	Part name	Material
21	Drain plug	Carbon steel/stainless steel
20	Worm gear/actuator	Manufacture's standard
19	Antistatic device	Stainless steel
18	Constact spring	17-7PH/inconel-Alloy
17	O-ring	Viton
16	Ball guide bush	Carbon steel/SS
15	Cover washer	PTFE/NYLON
14	Thrust washer	Graphite PTFE/NYLON
13	Stem	CS+Plated/stainless steel

**Class 150~1500 Cast Steel Three-piece Trunnion Mounted Ball Valve****Material List II**

Material List			
NO.	Part name	WCB	LCB
12	Socket head screw	A193 Gr B7	A320 Gr L7
11	Stud and nut	A193 Gr B7/A194 Gr 2H	A320 Gr L7/A194 Gr 4
10	Gasket	PTFE/SPIRAL WOUND	PTFE/SPIRAL WOUND
09	Packing	PTFE/Graphite	Graphite/PTFE
08	Seat ring	PTFE/RPTFE	PTFE/RPTFE
07	Sealing plate	A216 Gr WCB	A352 Gr LCB
06	Stem retainer	A216 Gr WCB	A352 Gr LCB
05	Ball guide	A105N+Nip	A182 F304
04	Ball seat	A182 F304	A182 F304
03	Ball	A182 F6a	A182 F304
02	R-body	A216 Gr WCB	A352 Gr LCB
01	L-body	A216 Gr WCB	A352 Gr LCB

**Class 150~1500 Cast Steel Three-piece Trunnion Mounted Ball Valve****Material List III**

Material List			
NO.	Part name	CF8	CF8M
12	Socket head screw	A193 Gr B8	A193 Gr B8
11	Stud and nut	A193 B8/A194 8	A320 B8M/A194 B8
10	Gasket	PTFE/SPIRAL WOUND	PTFE/SPIRAL WOUND
09	Packing	GRAFOIL	GRAFOIL

08	Ball seat	PTFE/RPTFE	PTFE/RPTFE
07	Sealing plate	A315 Gr CF8	A315 Gr CF8M
06	Stem retainer	A315 Gr CF8	A315 Gr CF8M
05	Ball guide	A315 Gr CF8	A315 Gr CF8M
04	Seat ring	A182 F304	A182 F316
03	Ball	A315 Gr CF8	A315 Gr CF8M
02	R-body	A315 Gr CF8	A315 Gr CF8M
01	L-body	A315 Gr CF8	A315 Gr CF8M

### Class 150 Cast Steel Three-piece Trunnion Mounted Ball Valve

Dimensions										
Class 150										
Size	inch	6	8	10	12	14	16	18	20	24
L-RF	mm	394	457	533	610	686	762	864	914	1067
L1-BW	mm	457	521	559	635	762	838	914	991	1143
L2-RTJ	mm	406	470	546	622	698	725	876	927	1079
B	mm	152	203	254	305	337	687	438	489	591
H	mm	270	315	360	410	425	475	525	590	695
K	mm	300	300	400	400	600	600	600	600	750
WT	Kg	110	160	320	448	567	850	1050	1350	1750

### Class 300 Cast Steel Three-piece Trunnion Mounted Ball Valve

Dimensions										
Class 300										
Size	inch	6	8	10	12	14	16	18	20	24
L,L-RF~BW	mm	403	502	568	648	762	838	914	991	1143
L2-RTJ	mm	419	518	584	664	778	854	930	1010	1165
B	mm	152	203	254	305	337	387	438	489	591
H	mm	285	345	380	345	450	495	570	615	710
K	mm	300	300	400	400	600	600	600	750	750
WT	Kg	128	210	345	560	780	1020	1200	1625	2285

### Class 600 Cast Steel Three-piece Trunnion Mounted Ball Valve

Dimensions														
Class 600														
Size	inch	2	2-1/2	3	4	6	8	10	12	14	16	18	20	24
L,L-RF~BW	mm	292	330	356	432	559	660	787	838	889	991	1092	1194	1397

L2-RTJ	mm	295	333	359	435	562	664	791	841	892	994	1095	1200	1407
B	mm	51	64	76	102	152	203	254	305	337	387	438	489	591
H	mm	190	230	265	295	300	355	415	455	505	515	600	640	735
K	mm	250	250	300	300	400	400	400	600	600	600	750	750	750
WT	Kg	34	40	45	98	200	395	555	840	1015	1220	1350	2080	2745

### Class 900 Cast Steel Three-piece Trunnion Mounted Ball Valve

Dimensions													
Class 900													
Size	inch	2	2-1/2	3	4	6	8	10	12	14	16	18	20
L,L-RF~BW	mm	368	419	381	457	610	737	838	965	1029	1130	1219	1321
L2-RTJ	mm	371	422	384	460	613	740	841	968	1038	1140	1323	1334
B	mm	51	64	76	102	152	203	254	305	324	375	425	473
H	mm	210	250	285	280	360	455	510	525	595	650	685	695
K	mm	250	300	300	400	400	600	600	600	750	750	750	800
WT	Kg	45	50	72	130	235	495	690	1050	1350	1750	2300	2850

### Class 1500 Cast Steel Three-piece Trunnion Mounted Ball Valve

Dimensions								
Class 1500								
Size	inch	2	2-1/2	3	4	6	8	10
L,L-RF~BW	mm	368	419	470	546	706	832	991
L2-RTJ	mm	371	422	473	549	711	841	1000
B	mm	51	64	76	102	146	184	241
H	mm	230	260	290	305	370	470	520
K	mm	300	300	400	400	600	600	750
WT	Kg	52	74	98	144	320	695	960